



TORNATECH

Project: _____

Customer: _____

Engineer: _____

Pump Manufacturer: _____

Technical Data Submittal Document

Model JPLT Across the Line Start Jockey Pump Controller



Contents:
Data Sheets
Dimensional Data
Wiring Schematics
Field Connections

Note: The drawings included in this package are for controllers covered under our standard offering. Actual AS BUILT drawings may differ from what is shown in this package.

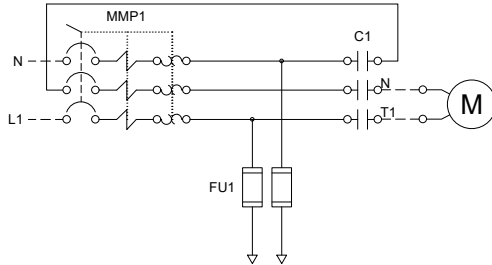
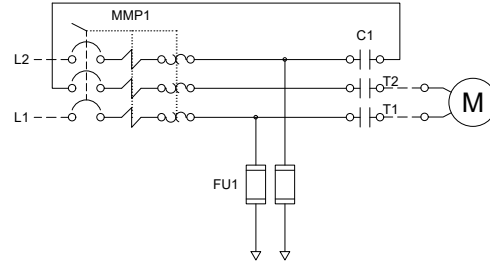
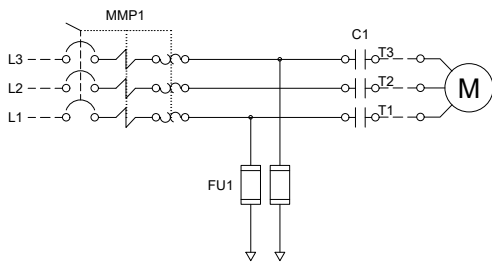


N.Y.C.
APPROVED



OPTIONAL
August 2023

Select Incoming Voltage

 110-120V

 220-240V

 200-600V


N.Y.C.
APPROVED



Listing	Underwriters Laboratory (UL)	UL508A - Industrial Pump Controllers
	New York City	Accepted for use in the City of New York by the Department of Buildings
	Optional	
	<input type="checkbox"/> CE Mark	Various EN, IEC & CEE directives and standards
Enclosure	Protection Rating	
	<input type="checkbox"/> Standard: NEMA 2	
	Optional	
	<input type="checkbox"/> NEMA 12	<input type="checkbox"/> NEMA 4X-304 sst painted
	<input type="checkbox"/> NEMA 3	<input type="checkbox"/> NEMA 4X-304 sst brushed finish
	<input type="checkbox"/> NEMA 3R	<input type="checkbox"/> NEMA 4X-316 sst painted
	<input type="checkbox"/> NEMA 4	<input type="checkbox"/> NEMA 4X-316 sst brushed finish
	Accessories • Wall mounting lugs (x4)	Paint Specifications • Red RAL3002 • Powder coating • Glossy textured finish



Short circuit current rating

HP	Voltage						
	110 - 120V	220 - 240V	200 - 208V	220 - 240V	380 - 415V	440 - 480V	600V
0.25	65kA	65kA	65kA	65kA	65kA	65kA	10kA
0.5	65kA	65kA	65kA	65kA	65kA	65kA	10kA
0.75	42kA	65kA	65kA	65kA	65kA	65kA	10kA
1	42kA	65kA	65kA	65kA	65kA	65kA	10kA
1.5	42kA	65kA	65kA	65kA	65kA	65kA	10kA
2	42kA	65kA	65kA	65kA	65kA	65kA	10kA
3	CF	42kA	65kA	65kA	65kA	65kA	10kA
4	CF	42kA	42kA	42kA	65kA	65kA	10kA
5	CF	42kA	42kA	42kA	65kA	65kA	10kA
5.5	CF	CF	42kA	42kA	65kA	65kA	10kA
7.5	CF	CF	42kA	42kA	42kA	65kA	10kA
10	CF	CF	CF	42kA	42kA	42kA	10kA
15	CF	CF	CF	CF	42kA	42kA	5kA
20	CF	CF	CF	CF	CF	42kA	5kA
25	CF	CF	CF	CF	CF	CF	5kA



Fuseless Motor Starter	<ul style="list-style-type: none"> • Type -F fuse-less magnetic motor starter • Rotary handle, padlockable • Door interlocked 		
Control Circuit	<ul style="list-style-type: none"> • 24V.AC 		
ViZiLT Operator Interface	<ul style="list-style-type: none"> • High luminosity alphanumeric digital display • HAND-OFF-AUTO pushbuttons • MENU navigation pushbuttons 		
Pressure Sensing	<ul style="list-style-type: none"> • Pressure transducer for fresh water application 316 stainless steel construction • Rated for 0-600psi working pressure • Pressure sensing line connection 1/2" brass Male NPT 		
Visual Indications	<ul style="list-style-type: none"> • H-O-A position • System pressure • Cut-out and Cut-In pressure setting • Manual motor run • Automatic motor run • Motor overload • Pump start counter • Elapsed time meter (hours / non-resettable) 		
Timers	<ul style="list-style-type: none"> • Minimum run timer (off delay) • Delay start timer (on delay) • Visual countdown 		
Counters	<ul style="list-style-type: none"> • Pump start counter • Elapsed timer meter (hours / non-resettable) 		
Operators	<ul style="list-style-type: none"> • Main disconnect handle • HAND-OFF-AUTO pushbuttons • MENU navigation pushbuttons 		
Operation	Automatic Start	Start on pressure drop	
	Manual Start	Start pushbutton	
	Stopping	Stop pushbutton	
	Timers	Field adjustable & visual countdown	<ul style="list-style-type: none"> • Minimum run timer (off delay) • Delay start timer (on delay)

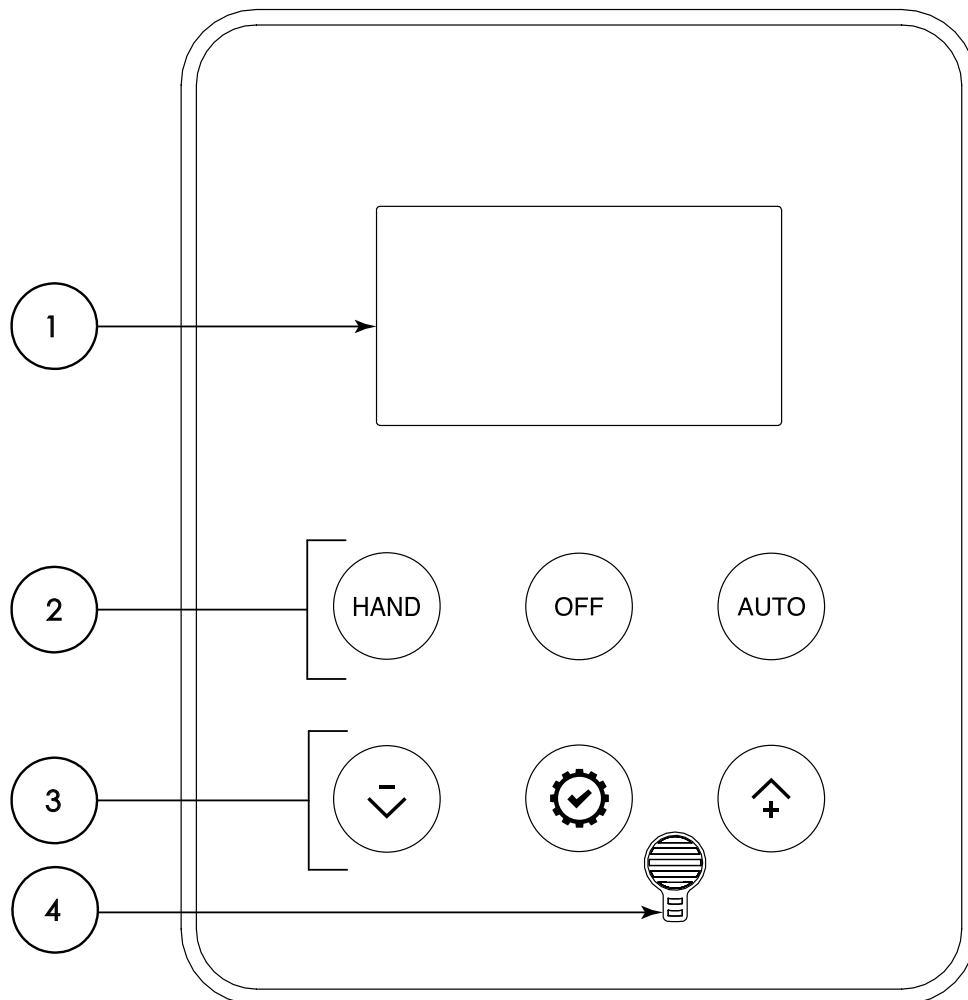


<input type="checkbox"/> A5	Motor run alarm contact
<input type="checkbox"/> A6	Loss of power alarm contact
<input type="checkbox"/> A7	Overload or short circuit alarm contact
<input type="checkbox"/> D11D	Pressure transducer 0-600psi with 1/2" MNPT 316 stainless steel bushing
<input type="checkbox"/> D13A	Externally mounted wetted parts
<input type="checkbox"/> D18	Audible alarm
<input type="checkbox"/> D19	Anti-condensation heater and thermostat
<input type="checkbox"/> D20	Anti-condensation heater and humidistat
<input type="checkbox"/> D21	Tropicalization
<input type="checkbox"/> D22	Phase reversal / failure pilot light and alarm contact
<input type="checkbox"/> D23	Controller power healthy pilot light and alarm contact
<input type="checkbox"/> D24	Pump failure via current sensing relay with pilot light and dry alarm contact
<input type="checkbox"/> D25	Low zone pump control function
<input type="checkbox"/> D26	Mid zone pump control function
<input type="checkbox"/> D27	High zone pump control function
<input type="checkbox"/> D28	Controller in AUTO alarm contacts
<input type="checkbox"/> D29	Controller not in AUTO alarm contacts
<input type="checkbox"/> D30	Motor heater circuit
<input type="checkbox"/> D35	Seismic Certification compliant to CBC 2019, IBC 2018 rigid base/wall mounted only
<input type="checkbox"/> D36	Special Seismic Certification compliant to OSHPD rigid base/wall mounted only
<input type="checkbox"/> D37	100kA high short circuit withstand rating for 200V to 600V

<input type="checkbox"/> L01	Other language and English (bilingual)
<input type="checkbox"/> L02	French
<input type="checkbox"/> L03	Spanish
<input type="checkbox"/> L04	German
<input type="checkbox"/> L05	Italian
<input type="checkbox"/> L06	Polish
<input type="checkbox"/> L07	Romanian
<input type="checkbox"/> L08	Hungarian
<input type="checkbox"/> L09	Slovak
<input type="checkbox"/> L10	Croatian
<input type="checkbox"/> L11	Czech
<input type="checkbox"/> L12	Portuguese
<input type="checkbox"/> L13	Dutch
<input type="checkbox"/> L14	Russian
<input type="checkbox"/> L15	Turkish
<input type="checkbox"/> L16	Swedish
<input type="checkbox"/> L17	Bulgarian
<input type="checkbox"/> L18	Thai
<input type="checkbox"/> L19	Indonesian
<input type="checkbox"/> L20	Slovenian
<input type="checkbox"/> L21	Danish
<input type="checkbox"/> L22	Greek
<input type="checkbox"/> L23	Arabic
<input type="checkbox"/> L24	Hebrew
<input type="checkbox"/> L25	Chinese

Note: Options chosen from this page are not electrically represented on the wiring schematics in this submittal package.

ViZiLT Operator Interface



- 1 - High luminosity alphanumeric digital display
- 2 - HAND-OFF-AUTO pushbuttons
- 3 - MENU navigation pushbuttons
- 4 - Audible Alarm



© Tornatech, Inc. Not for construction.
Subject to change without notice.

	BY	DD/MM/YY
DRAWN BY	ACD	15/05/23
FINAL APPROVAL	FC	15/05/23

JOCKEY PUMP CONTROLLER

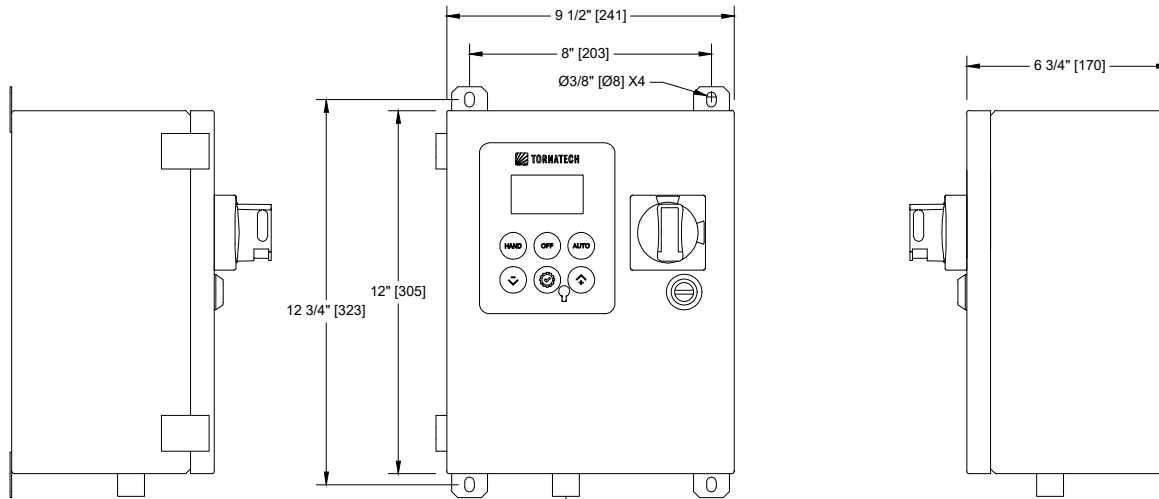
MODEL: JPLT

BUILT TO THE LATEST EDITION OF THE UL 508A

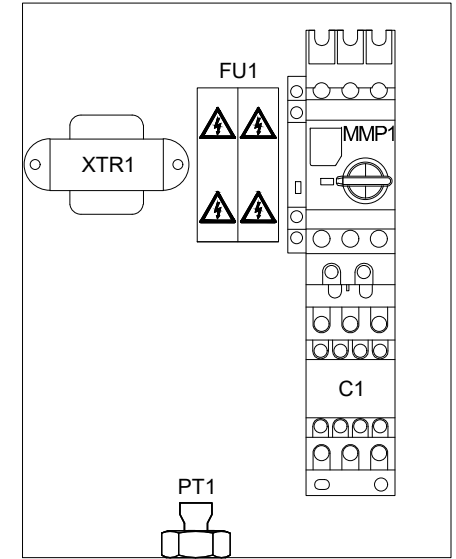
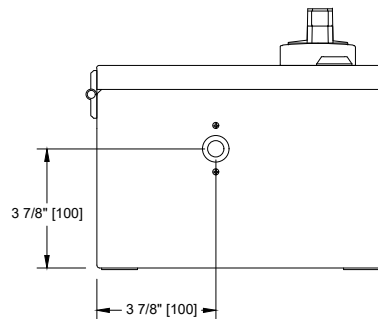


THIRD ANGLE PROJECTION

DRAWING NUMBER
JPLT-D1001/E
DWG REV. 0
SHEET 1 OF 1



Sensing Line Connection 1/2 " M.NPT



Standard Internal Layout

Voltage / Power Table	
Voltage	Max HP
1 Phase	
110 - 120	2
200 - 208	5
220 - 240	5
3 Phases	
200 - 208	7.5
220 - 240	10
380 - 400 - 415	15
440 - 480	20
600	25

Notes:

- Standard NEMA: NEMA 2
- Standard Paint: Textured Red RAL 3002.
- All Dimensions are in Inches [Millimeters]
- Use Watertight Conduit and Connector Only.
- Protect Equipment Against Drilling Chips.
- Door Swing Equal to Door Width

Drawing for information only.

Manufacturer reserves the right to modify this drawing without notice.

Contact manufacturer for "As Built" drawing.

*Dimensions may change depending on option required. Consult Factory for exact dimensions.



© Tornatech, Inc. Not for construction.
Subject to change without notice.

BY		DD/MM/YY
DRAWN BY	ACD	15/05/23
FINAL APPROVAL	FC	15/05/23

JOCKEY PUMP CONTROLLER ACROSS THE LINE / 3 PHASES

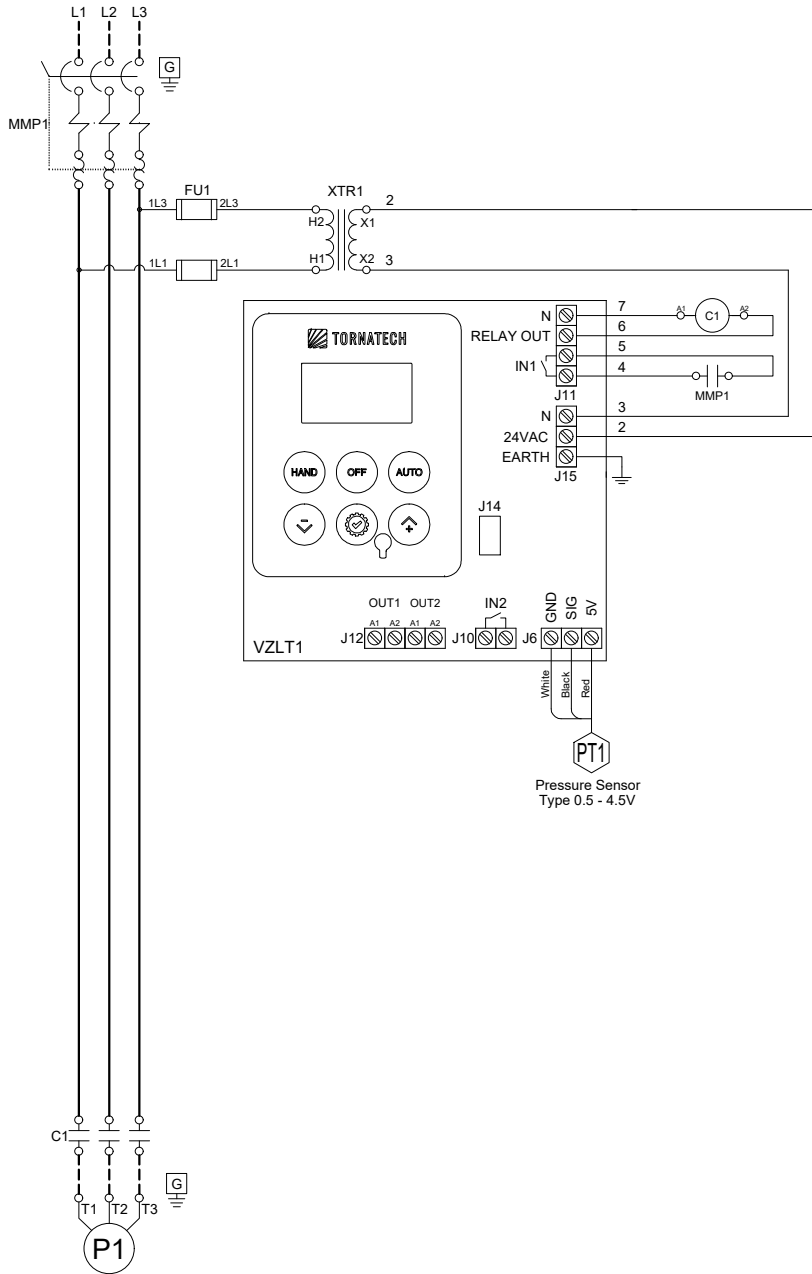
MODEL: JPLT

BUILT TO THE LATEST EDITION OF THE UL 508A



NYC
Dpt of Building
Approved

DRAWING NUMBER
JPLT-WS003/E
DWG REV. 0
SHEET 1 OF 1





© Tornatech, Inc. Not for construction.
Subject to change without notice.

	BY	DD/MM/YY
DRAWN BY	ACD	15/05/23
FINAL APPROVAL	FC	15/05/23

JOCKEY PUMP CONTROLLER ACROSS THE LINE / 3 PHASES

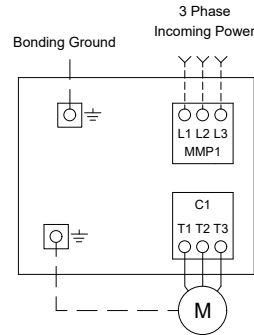
MODEL: JPLT

BUILT TO THE LATEST EDITION OF THE UL 508A



DRAWING NUMBER
JPLT-TD003/E
DWG REV. 0
SHEET 1 OF 1

Power Connections and Motor Connections



Line Terminals (L1,L2,L3,GND)

Maximum Motor Horsepower					Wire Size Copper Only	Torque	Wire Size Ground Copper Only
200-208V	220-240V	380-416V	440-480V	575-600V			
7.5HP	10HP	15HP	20HP	25HP	#14 AWG - #8 AWG	2.5 Nm	#14 AWG - #2 AWG

Motor Terminals (T1,T2,T3,GND)

Maximum Motor Horsepower					Wire Size Copper Only	Torque	Wire Size Ground Copper Only
200-208V	220-240V	380-416V	440-480V	575-600V			
3HP	4HP	5.5HP	7.5HP	10HP	#14 AWG - #10 AWG	1.7 Nm	#14 AWG - #2 AWG
7.5HP	10HP	15HP	20HP	25HP	#14 AWG - #8 AWG	2.5 Nm	#12 AWG - #2 AWG